

NEW

Fully finished colour options on timber up-and-over doors



Series 2000 Garage Doors

Superior design, engineering excellence







Hörmann brand quality	4
The steel designs	6
The natural beauty of timber	10
Elegant and durable GRP doors	14
Options to personalise your door	18
Retractable door	22
Canopy door	24
The open-for-infill frame	26
Door renovations	28
Garage door operators	30
Accessories	32
Fitting details	34
Overview	38

Some of the doors shown are equipped with optional extras and do not always correspond to our standard models.
The surface finishes and colours shown are subject to the limitations of the printing process and cannot be regarded as binding.
All rights reserved. No part may be reproduced without our prior permission.
Subject to changes.

Figure on the left: Style 2001 Vertical in Traffic white RAL 9016

Our Name, Your Promise

You can trust Hörmann brand quality



“A good name has to be earned.” (August Hörmann)

In line with the philosophy of the company’s founder, the Hörmann brand remains a guarantee for quality. With more than 75 years of experience in the construction of doors and operators and more than 20 million doors and operators sold, the family-owned business has become number 1 in Europe. This is very reassuring when buying a Hörmann Series 2000 garage door.



Based on German engineering, assembled in the U.K.

All doors and operator components are developed and manufactured by Hörmann. Hörmann Series 2000 garage doors are assembled at the Hörmann factory in Leicestershire from components sourced from both the continent and the UK.



Garage doors for generations

Thanks to excellent technical solutions and uncompromising quality assurance, you receive a 10-year warranty on all Series 2000 garage doors and 5 years on all Hörmann operators.*



Be environmentally aware

Responsible use of resources and uncompromising implementation of environmental protection regulations are two of Hörmann's traditional top priorities. We have substantially reduced the energy required for production through ultra-modern systems and by using improved, environmentally-friendly processes. Hörmann will continue to follow and push forward with this philosophy in the future.

* The complete warranty conditions can be found at: www.hormann.co.uk

Series 2000 steel up-and-over doors
Stylish designs – outstanding performance





The classic designs in steel

Series 2000 steel doors are timeless in appearance, never ageing your property. Whether choosing one of the ribbed or panelled designs, they offer a quiet elegance blending in with any environment whilst giving a lasting prestige.

The doors are galvanised with a high-quality polyester powder-coating and come protected against adverse weather conditions and corrosion, maintaining the long term beauty of the door.



Style Vertical Decograin, Golden oak



Style 2101 Ilkley, Traffic white (RAL 9016)
For door and accessory options,
please see pages 18–21

Shown on left:
Style 2601 Elegance, Traffic white (RAL 9016)

Series 2000 steel up-and-over door designs

Overview of door and side door styles



1



2



3



4



5



6



7



8



9



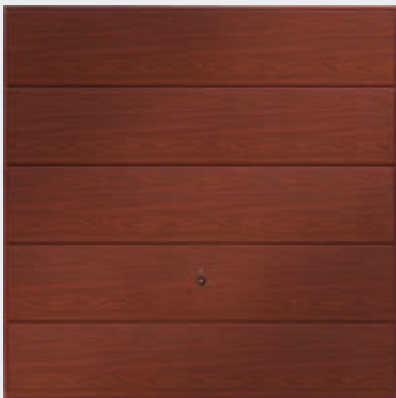
10



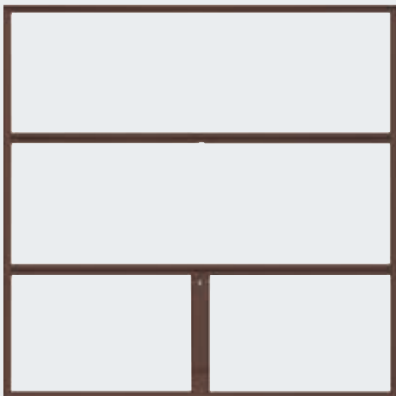
11



12



13



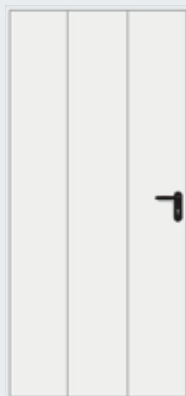
14



1



2



3

Door styles

- 1 2001 Vertical
- 2 2002 Horizontal
- 3 2601 Elegance
only available in Traffic white (RAL 9016)
- 4 2602 Finesse
only available in Traffic white (RAL 9016)
- 5 2003 Chevron
only available in Traffic white (RAL 9016)
- 6 2103 Caxton
only available in Traffic white (RAL 9016)
- 7 2101 Ilkley
- 8 2004 Georgian
also available in Decograin
- 9 2304 Georgian with window
- 10 2504 Countess
only available in Traffic white (RAL 9016)
- 11 2104 Marquess
also available in Decograin
- 12 Vertical Decograin Golden Oak
also available in Rosewood
- 13 Horizontal Decograin Rosewood
also available in Golden Oak
- 14 2011 Open-for-infill frame
Terra brown (RAL 8028)
also available in Traffic white (RAL 9016)

Side door styles

- 1 2001 Vertical
- 2 2004 Georgian
- 3 2601 Elegance

Side doors come with a profile cylinder lock and a black, synthetic lever/lever handle set as standard. They are optionally available in the same material choices as the garage door handles, please see page 19.

Matching side doors are available for all steel designs except 2101, 2103, 2504.

For door and accessory options, please see pages 18–21

Series 2000 timber up-and-over doors
Timber infills exquisitely crafted for a lasting appeal



The natural beauty of timber

Whatever the style of your property, traditional or modern architecture, our styles of timber doors in either panelled or tongued and grooved design, offer you the choice to find a style that will add warmth and character to your home. The carefully selected cedar wood is not only chosen for its aesthetic beauty but also for its natural durability, insulation and sound absorption.

All our timber doors are carefully manufactured and supplied with a factory-finish dip immersion coat, for temporary protection. We use Remmers Induline GW306 base stain primer 006 Light Oak. Additional on-site finishing is required. Fully finished wood stain and colour options are also available. With wood being a natural product, any finish may vary and movement of components and joints may occur, particularly in changes of weather from very wet to hot sunshine. This is what gives your door its individual character.

Wood needs protecting. That's why, in addition to the factory impregnation, it is important to apply a pigmented wood preservative to a timber garage door, in order to protect it against atmospheric influences and the effects of UV rays.



Style 2009 Vertical, Light Oak



Style 2010 Chevron, Light Oak
For door and accessory options,
please see pages 18–21

Shown on left:
Style 2009 Vertical, Golden Oak

Series 2000 timber up-and-over door designs

Overview of door and side door styles



1



2



3



4



5



6



7



8



9



10



11



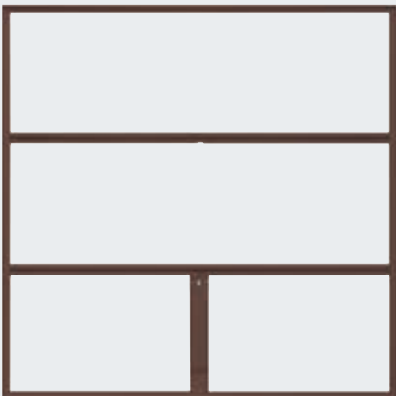
12



13



14



15



1



2



3

Door styles

- 1 2005 Measham
- 2 2007 Jacobean
- 3 2008 Tudor
- 4 2014 Rutland
- 5 2009 Vertical
also available in Horizontal
- 6 2010 Chevron
- 7 2013 Caxton
- 8 2019 Garage Light
- 9 2020 Gatcombe
- 10 2109 Mallory
available in Horizontal or Vertical
- 11 2114 Shepshed
- 12 2119 Leicester
- 13 2121 Chesterfield
- 14 2122 Middleton
- 15 2011 Open-for-infill frame
Terra brown (RAL 8028)
also available in Traffic white (RAL 9016)

Side door styles

- 1 2019 Garage Light
- 2 2008 Tudor
- 3 2020 Gatcombe

Side doors come with a profile cylinder lock and a black, synthetic lever/lever handle set as standard. Optional available in the same material choices as the garage door handles, please see page 19.

Matching side doors are available for all timber designs.

For door and accessory options, please see pages 18–21

Series 2000 GRP up-and-over doors

The look of timber, the benefit of GRP





Elegant and durable GRP doors

If low maintenance is an important factor to you, a Glass Reinforced Polyester door is just what you're looking for. While requiring minimum maintenance it will give you the long-lasting elegant look and character of genuine timber.

Our GRP doors are available in a supersmooth, high gloss white finish and a variety of timber looks. You will surely find the right finish to complement all your architectural requirements.

The timber character surface finish of GRP doors is not only different by colour but also by its underlying appearance.



Style 2034 Penshurst, Mahogany woodgrain



Style 2035 Hartfield, Dark Oak woodgrain
For door and accessory options,
please see pages 18–21

Shown on left:
Style 2041 Coniston, White supersmooth

Series 2000 GRP up-and-over door designs

Overview of door and side door styles



1



2



3



4



5



6



7



8



9



10



11

Door styles

- 1 2034 Penshurst
available in White woodgrain,
Mahogany woodgrain, Dark Oak and
Cherry Oak woodgrain
- 2 2035 Hartfield
available in White woodgrain,
Mahogany woodgrain, Dark Oak and
Cherry Oak woodgrain
- 3 2040 Livingston
available in White woodgrain,
Mahogany woodgrain, Dark Oak and
Cherry Oak woodgrain
- 4 2041 Coniston
available in White supersmooth
- 5 2042 Windermere
available in White woodgrain,
Mahogany woodgrain, Dark Oak and
Cherry Oak woodgrain
- 6 2044 Stamford
available in White supersmooth
- 7 2047 Bourton
available in White woodgrain,
Mahogany woodgrain, Dark Oak and
Countryside Oak woodgrain
- 8 2048 Burford
available in White woodgrain,
Mahogany woodgrain, Dark Oak and
Countryside Oak woodgrain
- 9 2049 Moreton
available in White woodgrain,
Mahogany woodgrain, Dark Oak and
Countryside Oak woodgrain
- 10 2041 Coniston with windows
available in White supersmooth
- 11 2042 Windermere with windows
available in White woodgrain,
Mahogany woodgrain, Dark Oak and
Cherry Oak woodgrain

For door and accessory options,
please see pages 18–21

Glazing options

Clear views with glazing



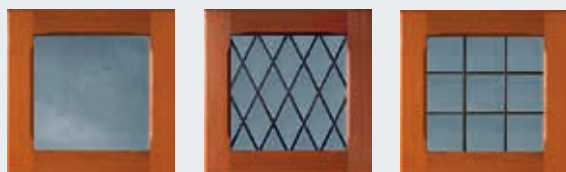
1 2 3



4



5



1 2 3



1 2 3



4



5

Glazing options for Series 2000 Steel up-and-over Georgian and Ilkley designs

- 1 Georgian, plain
- 2 Georgian, diamond
- 3 Georgian, crossed
- 4 Ilkley, crystal
- 5 Ilkley, black

All windows come with crystal panes.
Frames come white as standard with colour
options available.

Glazing options for Series 2000 Timber up-and-over Garage light design

- 1 Plain
- 2 Diamond
- 3 Crossed

The simulated 'leaded light' designs can be
combined with a clear or stippled opaque pane.
Panes are made of tough, durable perspex.

Glazing options for Series 2000 GRP up-and-over Coniston, Windermere and Stamford designs

- 1 Plain, clear
- 2 Crossed, clear
- 3 Diamond, translucent
- 4 Stamford, translucent
- 5 Stamford, black

The simulated 'leaded light' designs can be
combined either with a clear or translucent pane.

Stamford design is supplied with black glazing
as standard and translucent as an option.
All panes are made of tough, durable, perspex.

Handle options

Beautiful handles accent the door



1



2



3



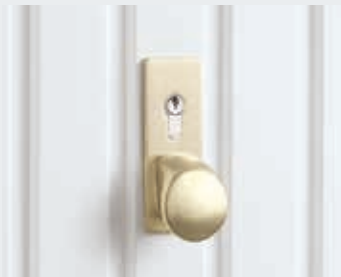
4



5



6



7



8

Door Handle options for Series 2000 Steel, Timber and GRP up-and-over design

- 1 Synthetic black, standard
- 2 Side door handle black, standard
- 3 Cast aluminium, white
- 4 Cast aluminium, brown
- 5 Cast aluminium, silver finish
- 6 Brushed, stainless steel
- 7 Cast aluminium, brass finish
- 8 Polished, stainless steel

A beautiful handle adds value. Its ergonomic design gives you a safe and firm grip.

Side doors come with a profile cylinder lock and a black, synthetic lever/lever handle set as standard. They are available in the same material choices as the garage door handles. Optional lever/knob handle set available.

Colour and surface finish options

Personalise your door



1



2



3



4



5



6



7

Colour options for Steel design

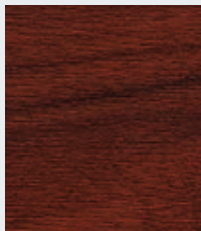
- 1 Moss green (RAL 6005)
- 2 Terra brown (RAL 8028)
- 3 Signal blue (RAL 5005)
- 4 Steel blue (RAL 5011)
- 5 Ruby red (RAL 3003)
- 6 Jet black (RAL 9005)
- 7 Traffic white (RAL 9016)

All our steel door designs come in Traffic white (RAL 9016) as standard, except for the open-for-infill frame which comes in Terra brown (RAL 8028).

Contact your Hörmann specialist dealer for advice regarding coloured doors.



1



2

Surface options for Steel design

- 1 Decograin Golden Oak
- 2 Decograin Rosewood



Wood stain for Timber design

- 1 Walnut
- 2 Ebony
- 3 Rosewood
- 4 Medium Oak
- 5 Light Oak
- 6 Dark Oak
- 7 Golden Oak
- 8 Mahogany
- 9 Teak

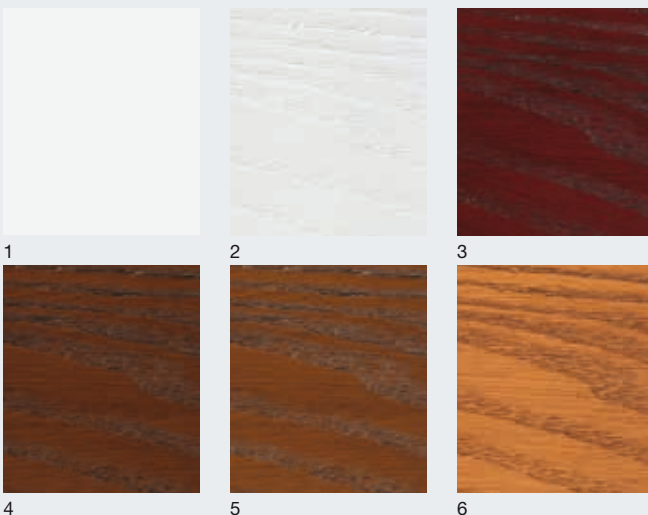
With wood being a natural product the finish of the doors supplied may vary from those shown.



Colour options for Timber design

- 1 White
- 2 RAL to choose

Our timber doors are now available in a white and RAL to choose colour options.



Colour finishes for GRP design

- 1 White supersmooth
- 2 White woodgrain
- 3 Mahogany woodgrain
- 4 Dark Oak woodgrain
- 5 Countryside Oak woodgrain
- 6 Cherry Oak woodgrain

Safety features to the latest European Standard 13241-1

The retractable gear for single and double garage doors



1 Finger-trap protection



2 Track roller well



3 Spring system

Safety checklist

For your old retractable up-and-over door



- Do flexible plastic strips on the frame and door leaf prevent trapped fingers? **1**
- Is there a safety distance of 25 mm between the lifting arm and the frame? **1**
- Does the bearing bracket have protective caps to prevent injury if inadvertently reached into? **1**
- Is the door safely and securely guided as well as protected against uncontrolled movements? **2**
- Are the tracks designed in such a way that it is impossible for the rollers to derail? **2**
- After opening, does the door come to a safe stop? **2**
- Is the door leaf safeguarded against crashing to the floor? **3**
- Is it guaranteed that even if a spring should break, an imbalance no greater than 200 N is produced? **3**
- Are the springs safeguarded to prevent them from being catapulted into the air? **3**
- Is the spring system designed in such a way that there is no risk of trapped fingers? **3**
- On power-operated up-and-over doors: are the maximum closing forces to EN 13241-1 complied with?

Even if you have answered only one of the above with “no”, your door is no longer safe.

Retractable door

- Retractable mechanisms are ideally suited to automatic operation.
- Single or double door version available.
- An optional 4 point locking kit is available. It comprising steel locking bar rods and slam-shut latches to increase the number of locking points.
- Hörmann offers a steel fixing frame for all single and double retractable doors. This frame makes an on-site timber frame redundant and saves valuable installation time as it is quick and easy to fit.

Safety features to the latest European Standard 13241-1

The canopy gear for single doors



1 Cable drum



2 Internally guided cables



3 Anti-fall safeguard

4 Protective cover profiles

Safety checklist

For your old canopy up-and-over door



- Is the door safely and securely guided as well as protected against uncontrolled movements? **1**
- Does your door have a cable drum with deep grooves to ensure the cable fits securely and prevents cables jumping? **1**
- Are the door's cables internally guided? **2**
- Is there an anti-fall safeguard fitted to your present door to prevent injury if a cable breaks? **3**
- Are the tracks designed in such a way that it is impossible for the rollers to derail? **3**
- After opening, does the door come to a safe stop? **3**
- Do protective cover strips on the frame and the door leaf prevent trapped fingers? **4**

Even if you have answered only one of the above with "no", your door is no longer safe.

Canopy door

- Only Single door version available.
- An optional 4 point locking kit is available. It comprising steel locking bar rods and slam-shut latches to increase the number of locking points.
- Hörmann offers a steel fixing frame for all single and double retractable doors. This frame makes an on-site timber frame redundant and saves valuable installation time as it is quick and easy to fit.

Style 2011

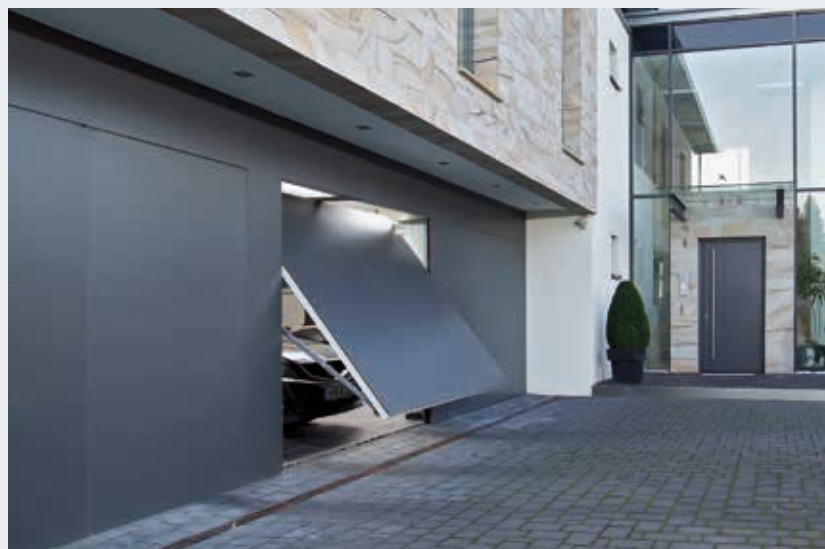
Design your own door with the open-for-infill frame



Style 2011 with on-site infill

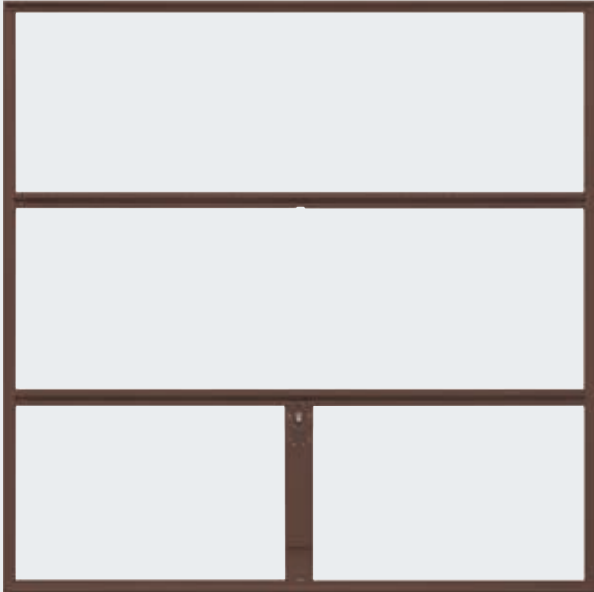


Style 2011 with on-site infill



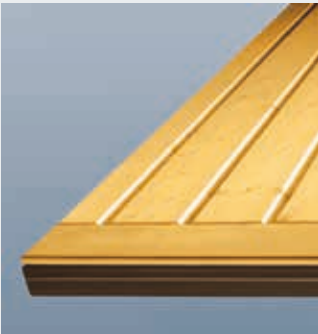
Style 2011 with on-site infill

The Hörmann open-for-infill leaf frame is perfectly prepared to accept a timber infill of your own design

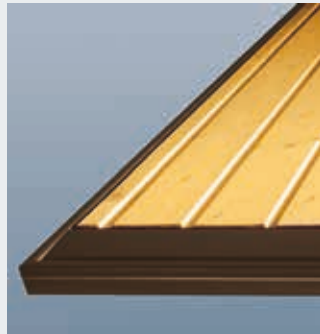


2011 open-for-infill frame
Door width up to 4267 mm

This door construction offers you two design options:



Infill overlapping the frame, whereby the frame and bottom section are entirely concealed.



Timber infill within the frame with visible bottom section to protect against spray water.

Solid basis

- Extremely sturdy frame construction with reinforced struts. Fully welded!
- Min. infill weight: 6 kg per m², max. infill weight 10 kg per m².
- Fully galvanised, door leaf frame additionally with high-grade polyester primer coating Terra brown (RAL 8028) or Traffic white (RAL 9016).
- Frame and struts pre-drilled at 30 mm spacings.
- Illustrated fitting instructions with suggested designs.

With design 2011 open-for-infill, door widths of up to 5 m are possible (for any width over 4267 mm, please refer to the DF98 range) if the permissible infill weight is complied with.

Modernise and Enhance

Hörmann offers optimal solutions for every fitting and renovation situation



Compensation panels and modernisation panels

Should your garage opening be higher and wider than the inexpensive standard sized garage door, simply adjust the sides and the lintel with panels that match the door. If the brickwork is damaged while removing the old door, modernisation panels [1] ensure a clean result without the need for further plastering.



Rubber bottom profiles (optional)

In garages without a threshold, a flexible, weather-resistant rubber bottom profile helps keep out passing debris.

**Benefit from the inexpensive standard sizes.
Of course, we can also easily provide you
with any required special solutions.**



Also purchase a matching operator

Ensures comfortable opening and closing and offers more security against forced opening of the door.



Optional retractable plus

Still conforming to the EN 13241-1 this gear allows for a clear drive through passage wider than the standard retractable gear. This makes parking the car in the garage a lot more convenient!



ProMatic Akku with solar module

The solution for a garage door operator in prefabricated garages and garage blocks without a power connection: A portable battery supplies the operator with power and can be charged inside the house via a normal power socket. You should also enquire about the ProMatic Akku solar module. This then saves you having to charge the accumulator manually.

Two Operator Variants

Day and night security
through automatic door locking



SupraMatic

The ultra-quick operator
with an array of additional functions

As standard with the 5-button hand transmitter HS 5 BS and 2-button hand transmitter HSE 2 BS with black textured surface.



ProMatic

The good-value starter model as an
introduction to Hörmann's premium
quality

As standard with two, 2-button hand transmitters HSE 2 BS with black textured surface.

SupraMatic

The high-quality operator with an array of additional functions, for a maximum of 50 door cycles* (open/close) per day.
Opening speed: 22 cm/s.

- Halogen lighting can be switched on/off separately
- Partial opening facility for a well ventilated garage

SupraMatic E

For doors up to 5500 mm wide
(max. 13,75 m² door surface)
Peak force: 650 N

SupraMatic P

As standard incl. photocell

For doors up to 6000 mm wide
(max. 15 m² door surface)
heavy timber doors and sectional
doors with wicket doors.
Peak force: 1000 N

ProMatic

The inexpensive starter model as an introduction to Hörmann's premium quality, for a maximum of 12 door cycles (open/close) per day.
Opening speed: 14 cm/s.

ProMatic

For doors up to 5000 mm wide
(max. 11 m² door surface)
Peak force: 750 N

ProMatic Akku

For garages not connected
to the mains supply and doors
up to 3000 mm wide
(max. 8 m² door surface)
Peak force: 400 N

Power Operated Garage Doors

It is against the law to install a power operated garage door in the UK without complying with the Machinery Directive. To comply with the Machinery Directive both the door and the operator used in the installation must have a Declaration of Incorporation from the manufacturer. On completion of the installation the installer must provide a Declaration of Conformity and apply a CE mark giving details of the installation to the door / operator combination, which is now classed as a machine. The installer must issue to the customer a Declaration of Conformity on completion of the installation. The installer must hold copies of both the Declaration of Incorporation and the Declaration of Conformity on a technical file for inspection by the relevant authorities. If any of the above requirements are not fulfilled the installation is illegal.

Please ensure for your own safety and peace of mind that whoever installs your electric operator is both willing and able to fulfil these requirements; if they are not - do not use them!



Members of the
DHF Garage Door Installer Group
can and will install your Hörmann operator
safely and legally.

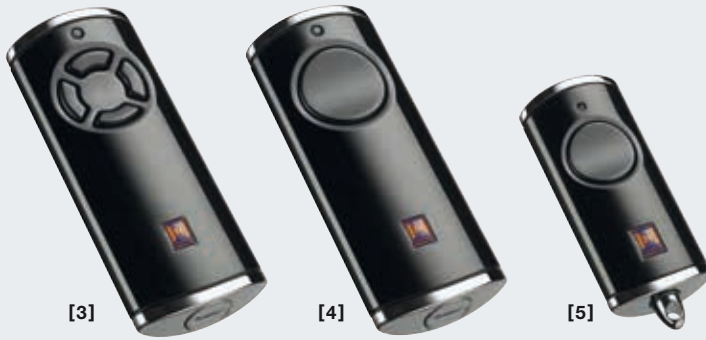
* based on SupraMatic P



[1]

[2]

**Hand transmitter
HS 5 BS**
4 button functions
plus inquiry button,
[1] High gloss black or white
[2] Black textured surface **// NEW**



[3]

[4]

[5]

**Hand transmitter
HS 4 BS**
4 button functions,
[3] High gloss black

**Hand transmitter
HS 1 BS**
1 button function,
[4] High gloss black

**Hand transmitter
HSE 1 BS // NEW**
1 button function, incl. key ring
[5] High gloss black



[6]

[7]

**Hand transmitter
HSE 2 BS**
2 button functions, incl. key ring
[6] High gloss black or white
[7] High gloss green, purple,
yellow, red, orange
[8] Black textured surface with
chrome or plastic caps **// NEW**
[9] Decors in silver, carbon,
light rootwood, light timber,
dark timber, dark rootwood



[8]

[9]



reddot design award
honourable mention 2011



Hand transmitter

HSD 2-A BS

Aluminium style,
2 button functions,
can also be used as a key ring

HSD 2-C BS

High-gloss chrome,
2 button functions,
can also be used as a key chain



Hand transmitter

HSP 4 BS

4 button functions,
with button lock-out,
incl. key ring



Hand transmitter

HSZ 1 BS

1 button function,
for insertion in vehicle
cigarette lighter

HSZ 2 BS

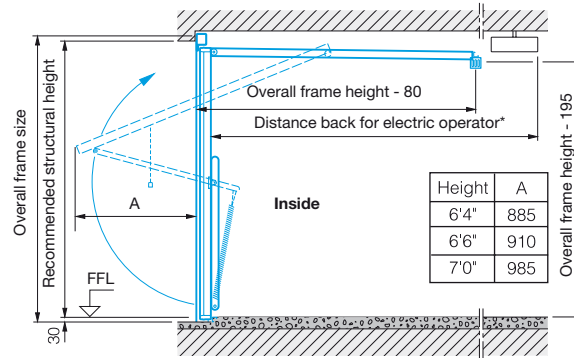
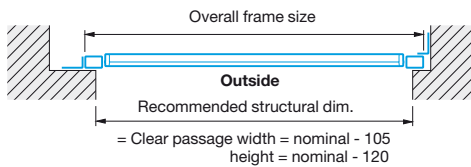
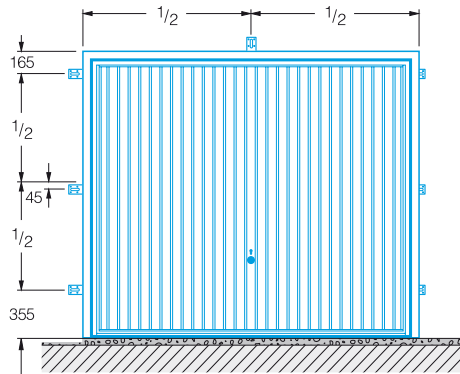
2 button functions,
for insertion in vehicle
cigarette lighter



To find more accessories and information
on Hörmann operators for garage doors
and entrance gates, please see the special
brochures or go to www.hormann.co.uk

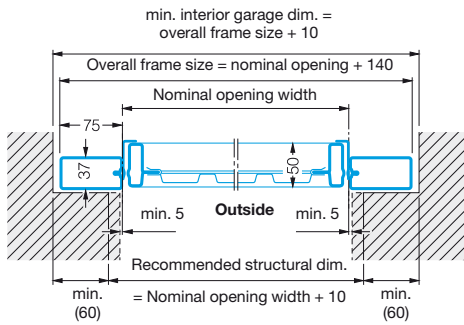
Fitting details for Series 2000 retractable gear for single doors

Position of anchors



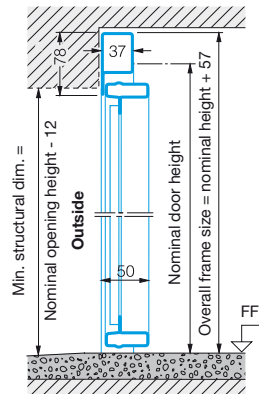
* Distance back for ProMatic/SupraMatic electric operator:
3200 mm up to door height 2500 mm
3450 mm up to door height 2750 mm

Fitting behind the opening



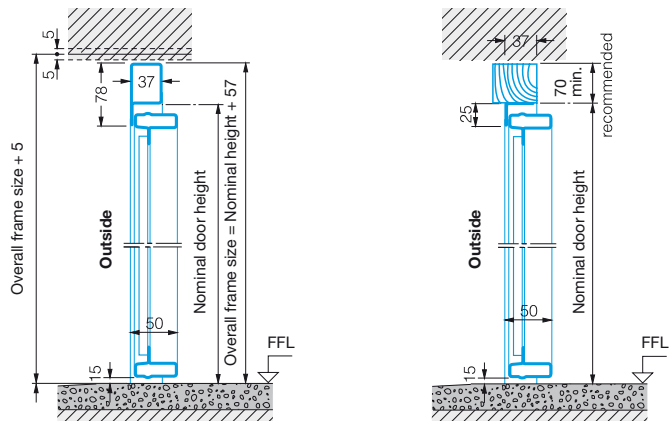
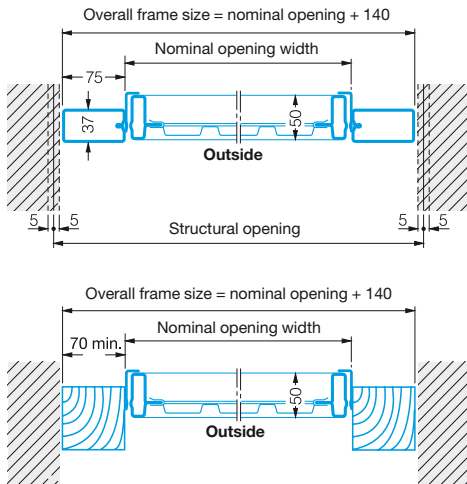
The recommended structural dimensions are recommended planning dimensions. Minimum sideroom, headroom and opening sizes are all based on these dimensions.

Door with flat floor



With ProMatic/SupraMatic operator
No additional headroom required.
Exception: some timber designs allow 15 mm clearance.

Fitting in the opening

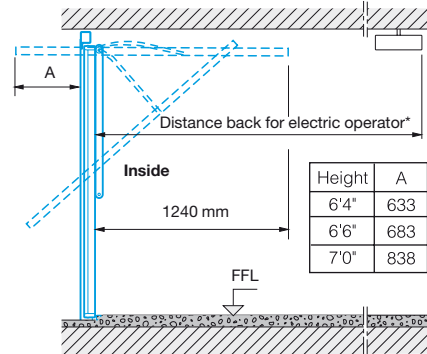
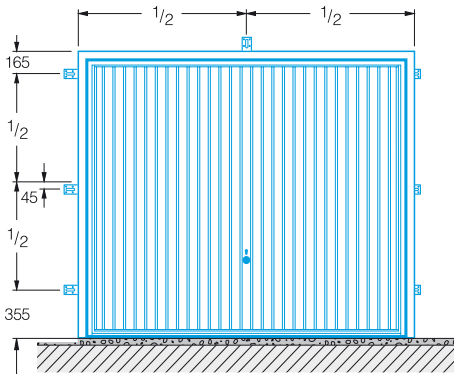


Fitting in the opening requires that the given dimensions be adhered to with greater accuracy.

With ProMatic/SupraMatic operator
No additional headroom required.
Exception: some timber designs allow 15 mm clearance.

Fitting details for Series 2000 canopy gear for single doors

Position of anchors

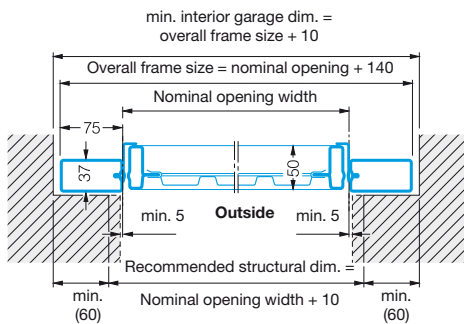


Clear passage

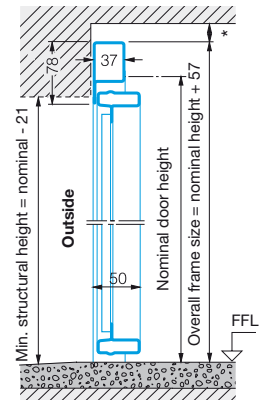
Width: nominal opening less 40 mm (1½") only within bottom 1/3 due to flexible seals.
 Height: nominal door height - 140

For doors with operator 40 mm headroom above top crossframe required. (Overall frame size + 40 mm)

Fitting behind the opening

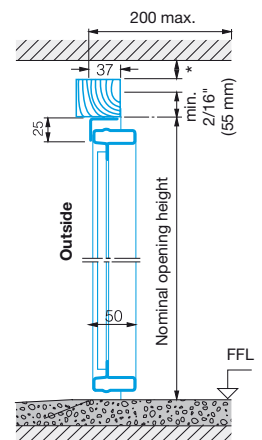
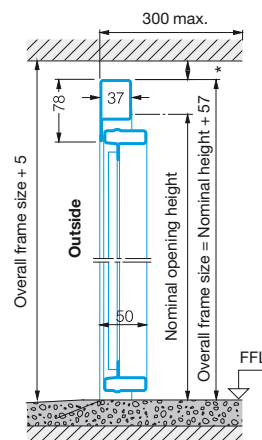
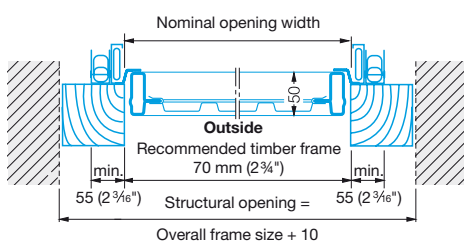
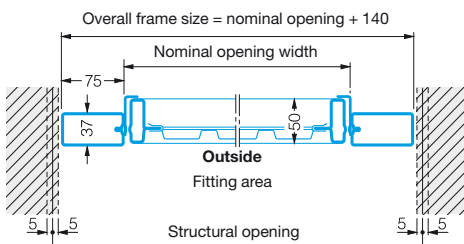


Behind opening installation with the Hörmann steel frame allows for a wider range of structural openings to be spanned, this can be particularly helpful with non-standard openings which would normally require special sized doors. The diagrams show the minimum tolerances that should be adhered to. PLEASE NOTE: the overall frame sizes are shown as additions to the nominal opening sizes.



* 40 mm headroom required for operator

Fitting in the opening

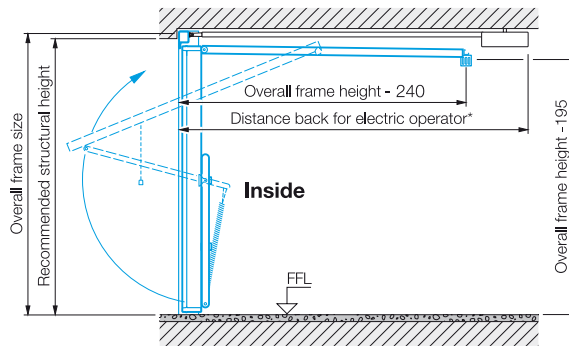
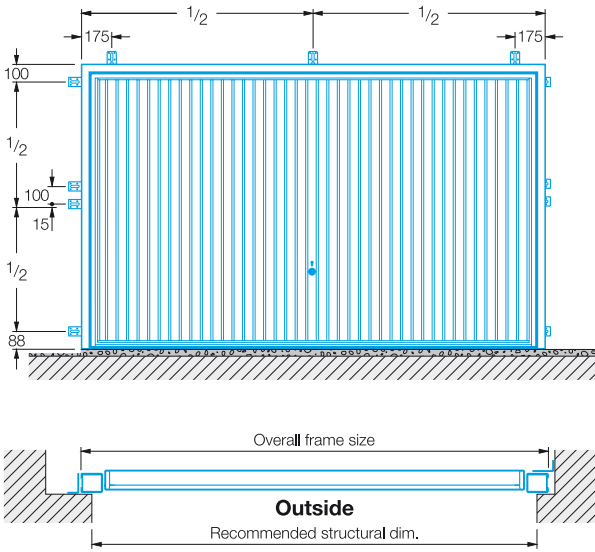


* 40 mm headroom required for electric operator

The size chart gives the structural opening sizes for each door size, this frame is the standard 2¾" (70 mm) square. A narrow application gear is provided for doors to be fixed to timber frames allowing the frame to be a minimum of 2 5/16" (55 mm) square if required, allowing the door to be fitted to smaller structural opening. For electric operation with canopy door a bow arm must be purchased separately. For overall dimensions of Hörmann steel frame, add 5½ (140 mm) to nominal opening width and 2¼ (57 mm) to nominal opening height.

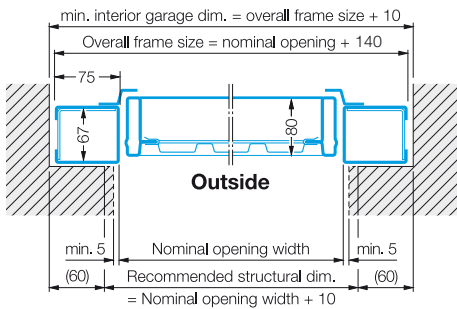
Fitting details for Series 2000 retractable gear for double doors

Position of anchors Dimensions in mm

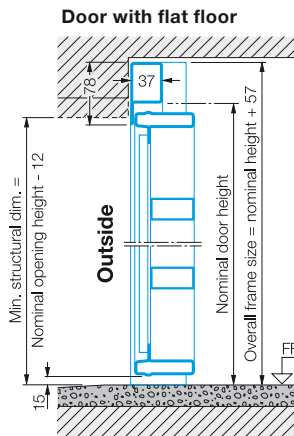


* Distance back for electric operators:
 3200 mm up to door height 2500 mm ProMatic/SupraMatic
 3450 mm up to door height 2750 mm ProMatic/SupraMatic

Fitting behind the opening

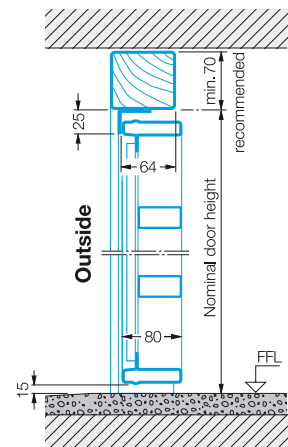
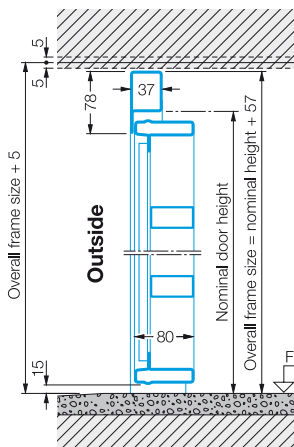
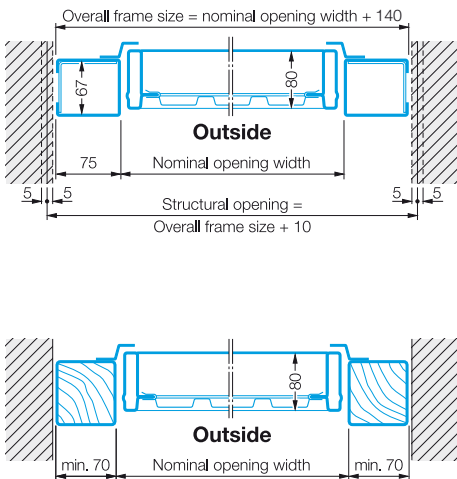


The recommended structural dimensions are recommended planning dimensions. Minimum sideroom, headroom and opening sizes are all based on these dimensions.



With ProMatic/SupraMatic operator
 No additional headroom required.
 Exception: some timber designs allow 15 mm clearance.

Fitting in the opening



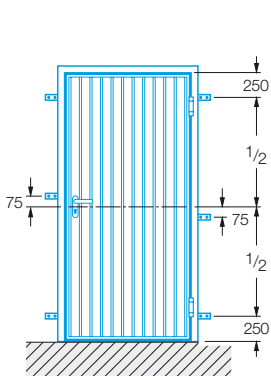
Fitting in the opening requires that the given dimensions be adhered to with greater accuracy.

With ProMatic/SupraMatic operator
 No additional headroom required.
 Exception: some timber designs allow 15 mm clearance.

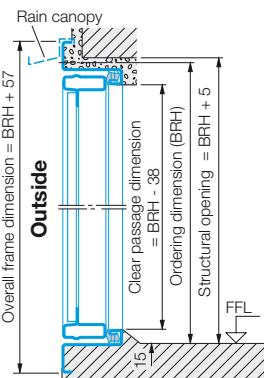
Fitting details for Series 2000 garage side doors

Single leaf

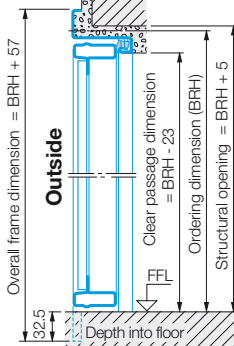
Position of anchors



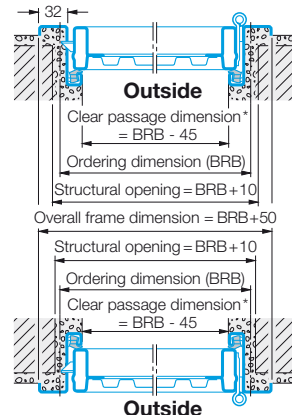
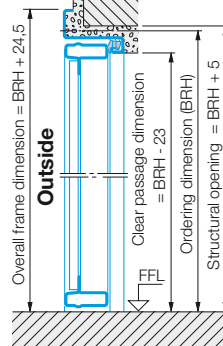
Single leaf door with stepped floor



Single leaf door (supplied with bottom threshold as standard, will be removed on site)



Single leaf door (supplied without bottom threshold)



Standard sizes for single-leaf doors				Dimensions in mm			
Ordering size (BR)		Structural opening		Clear passage dimensions			Height of lever handle
Width	Height	Width	Height	with threshold	without threshold	Height	from FFL
875	1875	885	1880	830	1837	1852	990
875	2000	885	2005	830	1962	1977	1050
875	2125	885	2130	830	2087	2102	1110
1000	2000	1010	2005	955	1962	1977	1050
1000	2125	1010	2130	955	2087	2102	1110

Single leaf doors
Standard sizes with steel infill and open-for-infill frames are supplied for external fitting as standard. For internal fitting, fittings can be reversed. Designs with timber infill for external fitting only.

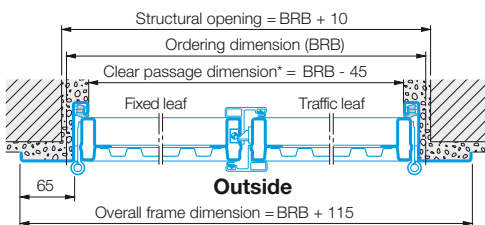
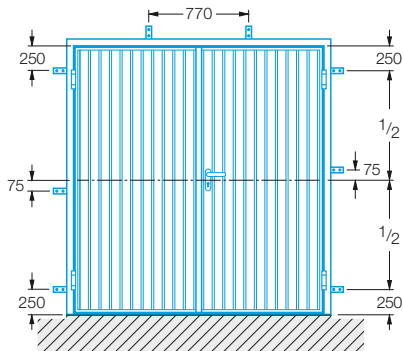
* With an opening angle of less than 180°, the clear passage width is reduced.

Block frame for fitting into the opening: dimensions and versions on request.

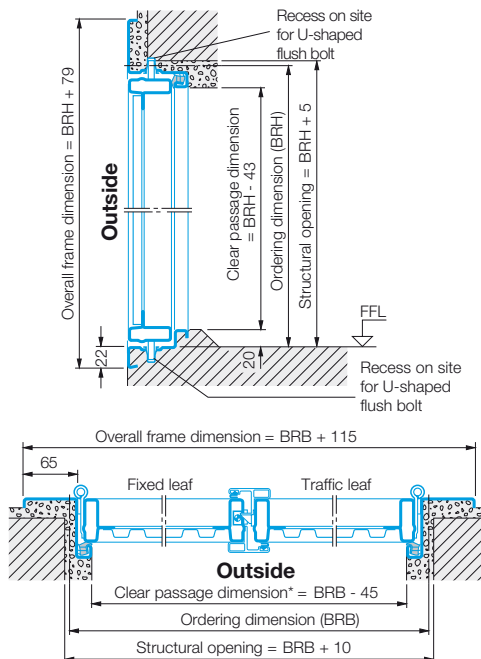
Maximum size range (BR): 1250 x 2375 mm.

Double leaf

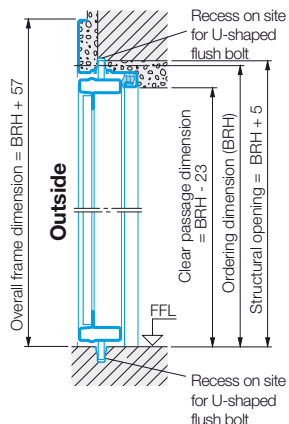
Position of anchors



Door with flat floor



Door with stepped floor



* With an opening angle of less than 180°, the clear passage width is reduced.

Block frame for fitting into the opening: dimensions and versions on request.

Double leaf doors
Supplied as standard for external fitting, traffic leaf on the right. State on order if internal fitting or left hand traffic leaf is required. Equal division of leaves only.

Size range for double-leaf doors
Width (ordering size): from 1300 to 2500 mm
Height (ordering size): from 1750 to 2250 mm
Panelled designs only up to BRB = 2000 mm

Single leaf, external fitting (standard)



Double leaf, external fitting (outside)



Single leaf, internal fitting



Double leaf, internal fitting



Internal fitting

For internally fitted doors, the threshold angle/transport angle should always be removed. Adequate water drainage to the outside must then be ensured. For doors on the weather side external fitting is preferable.

External fitting
With threshold profile.



Experience Hörmann quality

For every application involving new construction and modernisation

Hörmann provides an excellent basis for comprehensive planning. Carefully matched solutions offer you the very best in perfectly designed products for every area.

Garage doors

Optimally match your personal architectural style: up-and-over or sectional doors made of steel, grp or timber.

Door operators

Enjoy extra convenience and break-in-resistant security: Hörmann operators for garage doors and entrance gates.

Entrance doors

Our comprehensive entrance door ranges include models that fit almost every need and requirement.

Steel doors

Sturdy doors for your entire home, from basement to roof.

Frames

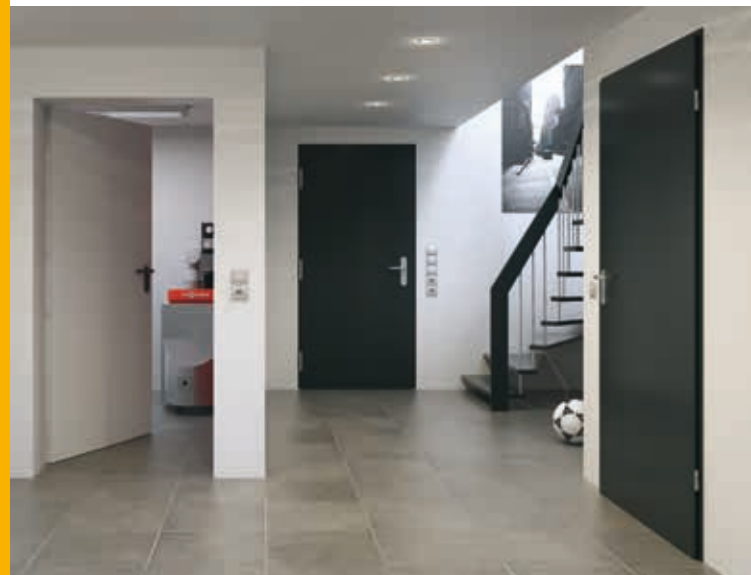
Choose from our comprehensive range of products for new construction, expansion and modernisation.



Garage doors and entrance gate operators



ThermoPro entrance door



Steel doors

Hörmann: Quality without Compromise



Hörmann KG Amshausen, Germany



Hörmann KG Antriebstechnik, Germany



Hörmann KG Brandis, Germany



Hörmann KG Brockhagen, Germany



Hörmann KG Dissen, Germany



Hörmann KG Eckelhausen, Germany



Hörmann KG Freisen, Germany



Hörmann KG Ichtshausen, Germany



Hörmann KG Werne, Germany



Hörmann Genk NV, Belgium



Hörmann Alkmaar B.V., Netherlands



Hörmann Legnica Sp. z o.o., Poland



Hörmann Beijing, China



Hörmann Tianjin, China



Hörmann LLC, Montgomery IL, USA



Hörmann Flexon, Leetsdale PA, USA

Hörmann is the only manufacturer worldwide that offers you a complete range of all major building products from one source. We manufacture in highly-specialised factories using the latest production technologies. The close-meshed network of sales and service companies throughout Europe, and activities in the USA and China, make Hörmann your strong partner for first-class building products, offering "Quality without Compromise".

GARAGE DOORS
OPERATORS
INDUSTRIAL DOORS
LOADING EQUIPMENT
HINGED DOORS
DOOR FRAMES

Hörmann (UK) Ltd, Gee Road, Coalville, Leicestershire LE67 4JW
Phone (01530) 513000, Fax (01530) 513001

